

# FLUSH MOUNT LATCH

For timber or aluminium door frames

## MODEL 15AV

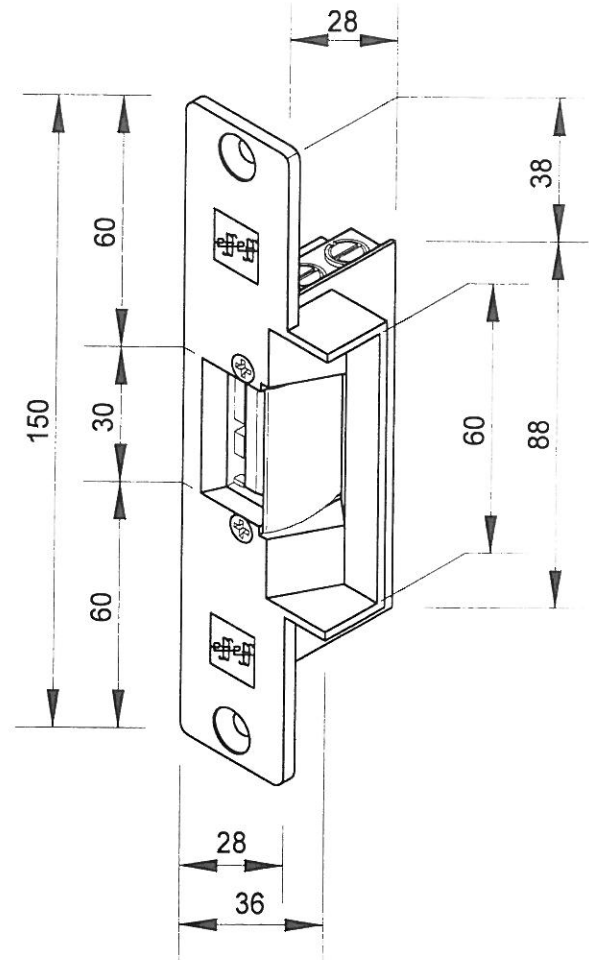
POWER TO OPEN (FAIL SECURE)  
 IN CASE OF POWER FAILURE THIS LATCH WILL REMAIN LOCKED

### 3 YEAR WARRANTY

Highly recommended for all office partitions.

Because of its very compact design with a width of only 20mm, this latch will not weaken the frame after installation, and a 16mm side lip will allow the latch to be installed deeper in the jamb than most conventional units.

Compatible with most mortise type locksets, this latch will accept locks with up to 27mm high tongues. The 30° inclination of the side plate allows easier entry of the dead latch into position.



maximum security from  
 "eff - eff"

**FULLY DESIGNED & MANUFACTURED IN GERMANY**

| PRODUCT No.                          | DESCRIPTION      | VOLTAGE    | CURRENT |
|--------------------------------------|------------------|------------|---------|
| 7301501                              | 15 AV (S-499)    | 8 - 16V AC | 500ma   |
| 7301502                              | 15 AV EE (S-499) | 12V DC     | 200ma   |
|                                      |                  | 12V DC     | 200ma   |
| Available in 24V AC & DC on request. |                  |            |         |

SYMBOLS:EE > Continuous rated coils for DC operation with access control  
 RR > Double monitor relay fitted to indicate if door is open or closed  
 KL > Indicates the front plate of the latch is 160mm in length

DISTRIBUTED BY: